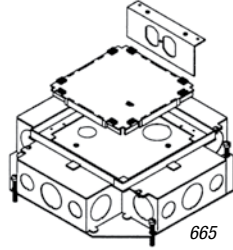
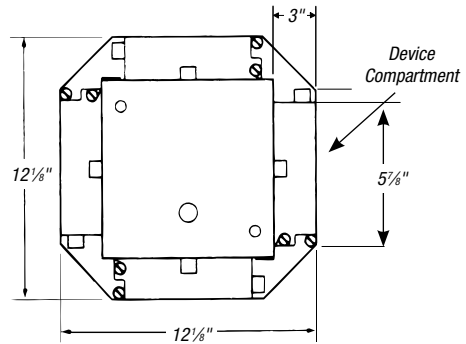


Recessed Service Floor Boxes

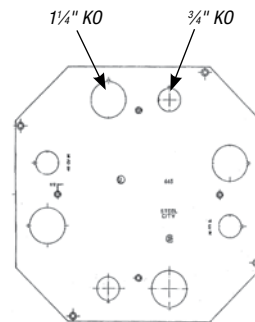
665 Series Floor Boxes: 665-SC



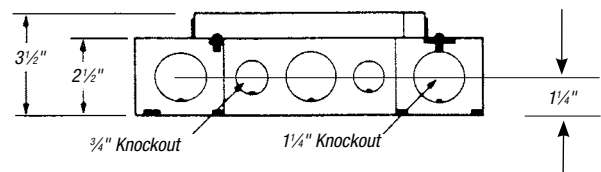
- Four (4) device compartments can accommodate any combination of devices. For example: (3) duplex power devices and (1) duplex telephone device, or (2) voice and data connectors and (1) GFCI device and (1) blank, etc.
- Overall height of 3½" allows for shallow pours when needed
- High-strength polycarbonate cover with a 5/32" steel plate assures structural integrity
- Metallic Covers also available in solid brass and aluminum
- Four-side feed-through allows installer to feed through power or data/comm service from any orientation
- Non-metallic wire tunnels aesthetically clean. Full-width tunnel provides maximum feed-through capacity; non-metallic material prevents conductor damage
- Total access area of 126 cu. in. allows for friendly installation of workstation cables
- Contains 28 knockouts (16–1¼" and 12¾" KOs) that provide increased flexibility when installed
- The 665 line is an extension of the industry-leading 664 Series; our concealed service line now allows the customer to install up to four device panels in one box
- Through the use of a unique non-metallic wire tunnel, the installer can easily partition the power, voice/data requirements
- This UL Listed, stamped-steel floor box can be installed with Thomas & Betts voice and data connector products
- Four 2½" levelling screws provided with all boxes
- Device panels ordered separately



Top View



Bottom Plate



CAT. NO.	DESCRIPTION	DEVICE COMPARTMENTS (IN.)				DEVICE ACCESS AREA	STD. CTN.
		LENGTH	WIDTH	HEIGHT	AREA		
665-SC	Stamped Steel Box	5¾	2¾	2½	40 cu. in.	126 cu. in.	1

665-SC floor box does not include device plates or covers. Order separately (see page A-135).

Material: Pre-Galvanized Steel.

For communication accessories, see page A-140.

Recessed Service Floor Boxes

Cast Iron for Slab-On-Grade Applications

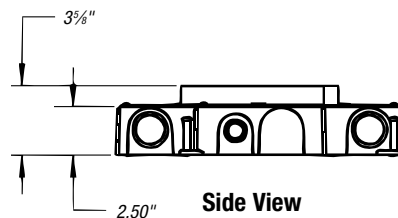
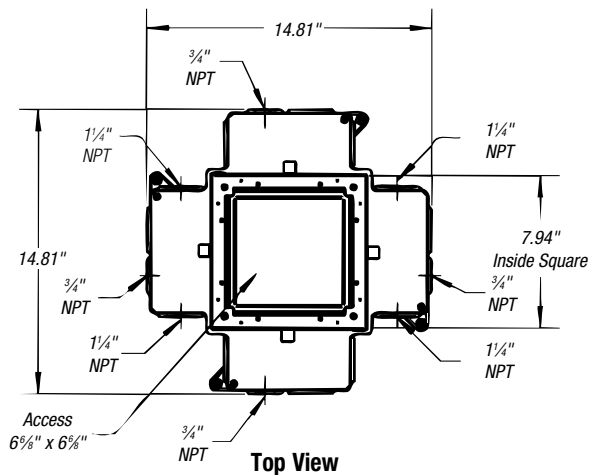
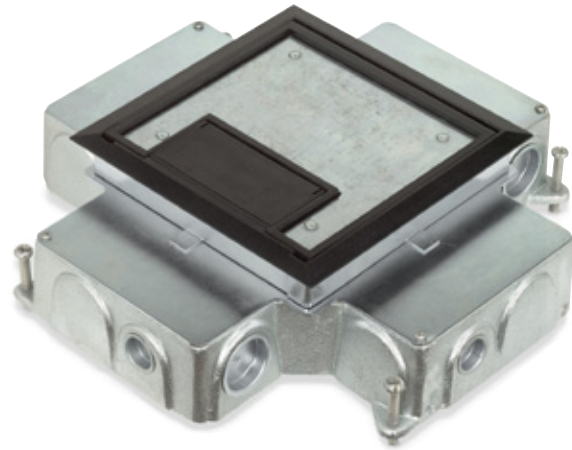
665 Series Floor Boxes: 665-CI

The new Steel City® 665 Cast Iron Floor Box provides a high-capacity power and data solution for ground-floor installations. This 4-gang recessed-service floor box is ideal for slab-on-grade applications. Removable voltage dividers enable users to customize wiring configurations by feeding two or more adjacent compartments with a single conduit. Aesthetic covers feature a recess to accept floor covering to match the surrounding floor.

- 4-gang, recessed service for a high-capacity aesthetic floor-box solution
- Removable voltage dividers between compartments enable a single conduit to feed two or more adjacent compartments
- Heavy-duty, non-metallic covers with steel-reinforcement plates are available in a wide variety of colors to match any decor (black, gray, brown and beige)
- Metallic Covers
- Separate cord door in the cover latches firmly in the open position to prevent damage to cables
- MopTite® covers meet UL scrubwater exclusion requirements for carpet, tile and wood
- Largest cubic-inch capacity of any cast iron recessed 4-gang floor box
- Inline 1 1/4" hubs allow high-capacity straight runs for communicator wiring
- Custom device panels and hub sizes are available — contact technical service about these offerings

Specifications

- Material: Box — Cast Iron
Cover — Polycarbonate with steel reinforcement plate
- Listing: UL and CSA Listed



CAT. NO.	DESCRIPTION	DEVICE COMPARTMENTS (IN.)				DEVICE ACCESS AREA	STD. CTN.
		LENGTH	WIDTH	HEIGHT	AREA		
665-CI	Cast Iron Box	5 3/4	3 1/2	2 1/4	45 cu. in.	126 cu. in.	1

665-CI floor box does not include device plates or cover. Order separately. (See page A-135)
Material: Pre-Galvanized Steel.

For communications accessories, see page A-140.

Recessed Service Floor Boxes

2" KOs for Audio Visual Applications

NEW!

665 Series Floor Boxes: 665-AV2

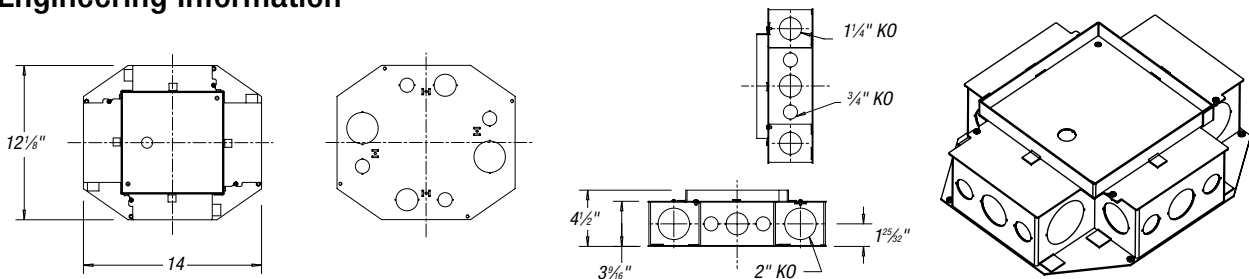
- 2" KOs enable pre-terminated AV cables and connectors to be pulled directly through the conduit
- Accepts standard 665 Series covers and device plates for power, voice, data and audio visual connections
- **NEW!** Rectangular adapters allow voice, data and AV connectors to be mounted in a standard GFCI device plate
- **NEW!** Keystone style voice, data and AV connectors meet a wide range of low-voltage applications. All connectors are recessed for flush mounting in floor box applications
- **NEW!** Device plates are available that accept Extron® MAAP plates to accommodate any AV requirements (Extron® MAAP plates purchased from an authorized Extron distributor)
- **NEW!** Metallic covers provide a durable, aesthetic installation, including industry-exclusive solid brass covers (not painted or plated), aluminum also available



Rectangular adapters and Keystone Inserts for GFCI Device Plates (see page A-140)

CAT. NO.	DESCRIPTION	STD. CTN.
665-AV2	4-Compartment Recessed Service Floor Box with 2" KOs for AV Applications	1
<p><i>665-AV2 floor box does not include device plates or cover. Order separately. (See page A-135)</i> <i>Extron® is a registered trademark of RGB Systems, Inc.</i> <i>For communication accessories, see page A-140</i></p>		

Engineering Information



665-AV2 Floor Box Engineering Data

CAT. NO.	BEFORE POUR ADJ. (IN.)	AFTER POUR ADJ. (IN.)	LENGTH (IN.)	COMPARTMENT SIZE & CAPACITY (QTY = 4)			CONDUIT KOS (IN.)	
				WIDTH (IN.)	HEIGHT (IN.)	VOLUME	SIDES	BOTTOM
665-AV2	2 1/2	3/4	(2) 5 3/4	3 3/4	3 3/8	72 cu. in.	(4) 2	(2) 2
				2 3/4	3 3/8	52 cu. in.	(8) 1 1/4	(2) 1 1/4
							(8) 3/4	(4) 3/4

Recessed Service Floor Boxes

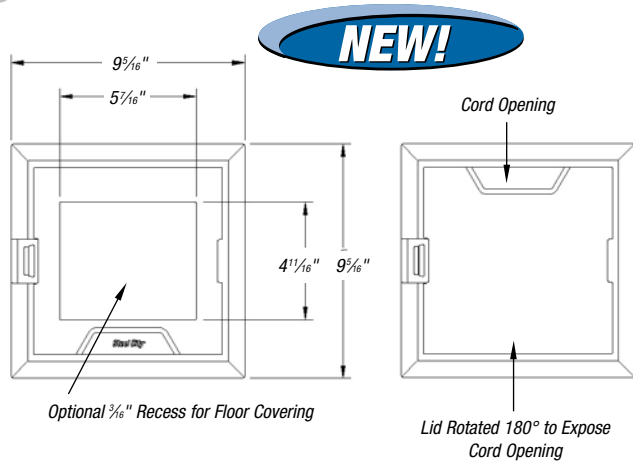
Metallic Covers for 665 Series Floor Boxes



665-CST-SW-BRS
Solid Brass



665-CST-SWR-ALM
Solid Aluminum with Recess for Floor Covering



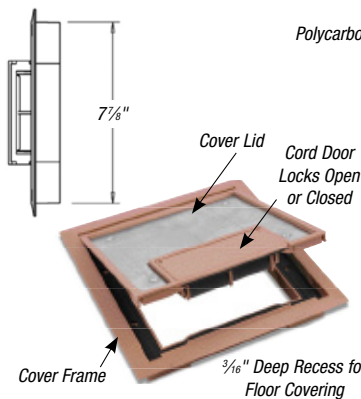
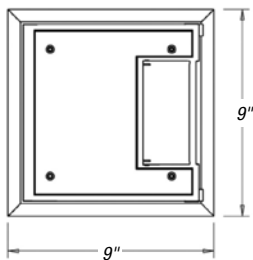
NEW!



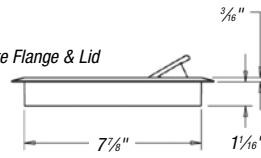
CAT. NO.	DESCRIPTION	LOAD RATING (LBS.)	STD. CTN.
665-CST-SW-BRS	Solid Brass Cover for 665 Series Floor Boxes	1,500	1
665-CST-SWR-BRS	Solid Brass Cover with Recess for Floor Covering, 665 Series	1,500	1
665-CST-SW-ALM	Solid Aluminum Cover for 665 Series Floor Boxes	1,500	1
665-CST-SWR-ALM	Solid Aluminum Cover with Recess for Floor Covering, 665 Series	1,500	1

Non-Metallic Covers for 665 Series Floor Boxes

1/32" Steel Top Plate on Lid. Carpet or Tile can be Glued to Top Plate.



Polycarbonate Flange & Lid



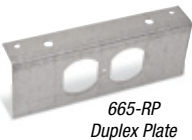
665-CST-SW-BLK
Black Non-Metallic Cover



CAT. NO.	DESCRIPTION	LOAD RATING	STD. CTN.
665-CST-SW-BLK	Non-Metallic Cover for 665 Series Floor Boxes, Black	750 lbs.	1
665-CST-SW-GRY	Non-Metallic Cover for 665 Series Floor Boxes, Gray	750 lbs.	1
665-CST-SW-BGE	Non-Metallic Cover for 665 Series Floor Boxes, Beige	750 lbs.	1
665-CST-SW-BRN	Non-Metallic Cover for 665 Series Floor Boxes, Brown	750 lbs.	1

Material: Polycarbonate with 1/32" steel plate.
Furnished with (4) #8-32 x 3/8" mounting screws.
Contact T&B Technical Service for Color Chip samples.

Device Plates and Accessories for 665 Series Floor Boxes



665-RP
Duplex Plate



665-GP
GFCI Plate

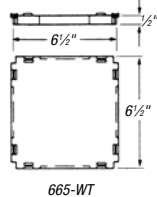
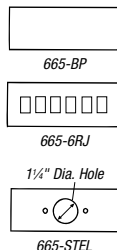
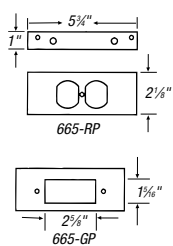


665-BP
Blank Plate



665-6RJ
Data Plate for 6
Keystone Jacks

665-WT
Wire Tunnel feeds multiple compartments from a single conduit (one included with each 665-AV2 and 665-SC)



CAT. NO.	DESCRIPTION	STD. CTN.
665-RP	Duplex Plate for 665 Series Floor Boxes	4
665-GP	GFCI Plate for 665 Series Floor Boxes	4
665-BP	Blank Plate for 665 Series Floor Boxes	4
665-6RJ	Data Plate for 665 Series Floor Boxes, Accepts 6 Keystone Jacks	4
665-STEL	Telephone Data Plate for 665 Series Floor Boxes	4
665-WT	Replacement Wire Tunnel for 665-SC & 665-AV2 Floor Boxes	4

Each box requires (4) device plates. Material: Pre-galvanized steel.